

905015 LIFT/LEVEL KIT



2005-2011 Tacoma PreRunner and 4x4



THIS KIT CONTAINS

Strut Caps (x2)
Hardware Pack (x1)
Rear Blocks (x2)
U-Bolts (x4)
U-Bolt Hardware Pack (x1)
Differential Drop Kit (x1)

Instructions
Stickers

FRONT INSTALLATION

1) Loosen bolts attaching the lower control arm to frame. Disconnect sway bar links from lower control arm. Remove lower strut bolt and remove bolts at lower ball joint allowing the lower control arm to swing down and out of the way. Remove upper strut mount nuts and remove strut.

2) Mount the TRAXDA cap to the top of the strut assembly securing it with the supplied nuts, and reinstall it in the reverse of removal. *Note the twisted shape of the TRAXDA cap; the strut will be rotated 180 degrees when reinstalled in the truck. It may be necessary to use a pry bar to aid in the reinstallation of the strut assembly, and a pit jack to raise the lower control arm. Verify that all hardware has been tightened to the proper torque specs.

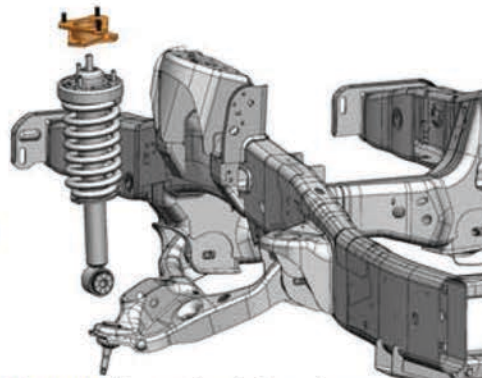
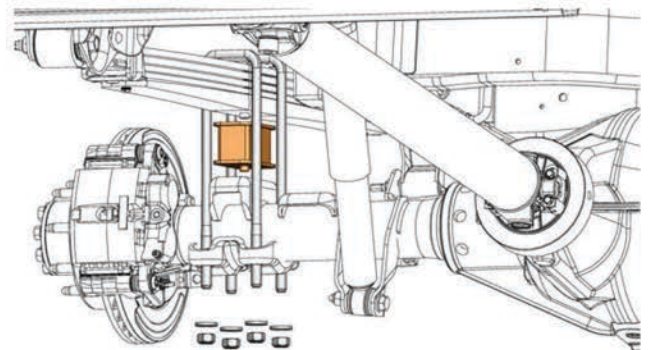


Figure A. Illustration is for reference only. Part dimensions will vary from kit to kit.

3) To install differential drop, first remove the inspection cover. Support the differential with a jack, remove the 2 long front mounting bolts. Place the supplied spacers between the mount and frame, secure using supplied long bolts and nuts. Reinstall inspection cover.

REAR INSTALLATION

4) Disconnect ABS wires so they can droop. Loosen lower shock bolt and remove. Use a pit jack to support the differential. Remove U-bolts from one side of the truck only. This will help keep the differential steady. Install lift block between differential and leaf spring. Install U-bolts supplied with TRAXDA kit. Reinstall lower shock bolts. Repeat on the other side of the truck.



Torque U-bolt hardware to 75 ft. lbs. Never reuse U-bolts.

SAFETY WARNING

Always use the correct tools and wear safety goggles. We strongly recommend installation by a licensed mechanic on a properly secured locking lift.

VEHICLE RIDE WARNING

Trucks with lift or level kits installed will have higher centers of gravity than stock. Aggressive driving and sudden direction changes can cause an unexpected rollover.

TIRE FITMENT ADVICE

The best way to ensure proper tire fitment is to install the kit before purchasing your wheels and tires. Always test fit tires and wheels before purchasing.

INSTALLATION TIPS:

Trucks are often not level side to side from the factory. Always measure before installation.

Always re-torque all hardware to the manufacturer's original specifications.

In order to get the best tire wear, use our supplied alignment specifications. OEM specifications are for trucks with stock wheels and tires. Larger tires will wear differently.

All instructions are written for vehicle on a two-post lift with tires removed.

Always use caution when handling ABS or wheel sensor wiring. Avoid tension of any kind on wiring harness as this may cause damage or failure.

	Left	Right
Caster (degrees)	1.5	1.75
Camber (degrees)	0	-1/4
Toe	1/32 inch toe in	
Special Tools	none	

Alignment Notes:

We recommend that a technician with experience doing alignments on lifted trucks perform the alignment. Large tires wear differently than OEM sized tires. Always do an alignment after changing tires on a vehicle.